

Camloc

Motion Control

Cam-Stay

Easy to use telescopic multi-positional stay



Cam-Stay is a manually operated telescopic multi-positional stay designed to support up to 135kg. With fixed holding positions the Cam-Stay provides quick and steady positioning.

Available in three versions, Cam-Stays are universal and can be mounted with the holding slots up or down. To operate, simply extend the arm until it locks into the desired position. To close, either fully extend the stay before returning it to the closed position (basic models) or extend slightly and close (reversible model).

Benefits

- Easy installation & simple to operate
- Supports up to 135kg
- Maintenance free
- Up to 10 adjustment positions
- Stops at any holding position
- BS EN ISO 9001 Registered Company

Cam-Stay

The Cam-Stay telescopic positioning stay comes in three versions; Basic with 5 locking positions, Basic with 10 locking positions and Reversible with 6 locking positions.

Basic - To operate the Basic stay all you need to do is slightly extend the arm from its closed state until it locates into the desired holding position. To close the unit, fully extend the stay before returning it to the closed position. The Basic type is available with 5 or 10 holding positions.

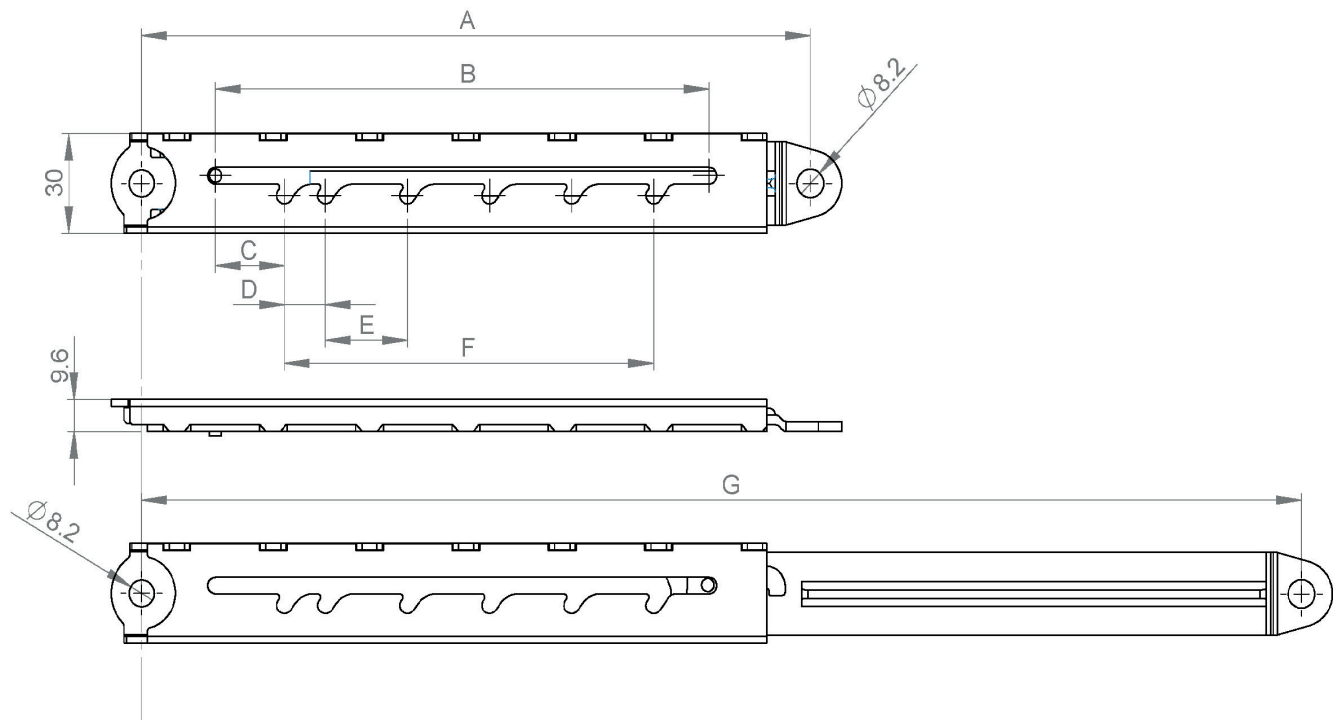
Reversible - To operate the Reversible type stay, extend the arm from its closed position until it locates into the desired holding position. The Reversible version can be closed between any holding positions, it does not need to be fully extended before closing. To close the stay simply extend it slightly out of its current holding position and close. The Reversible type is available with 6 holding positions.

All Cam-Stay telescopic positioning stays are universal and can be mounted with the holding slots mounted up or down. Mounting of the stays can either be directly to your application through the holes or by mounting brackets.

Specification

Material & Finish:	Carbon steel with clear passivate
Material Thickness:	Arm: 3mm / Housing: 2mm
Maximum Loading:	1350N / 135kg
Life Expectancy:	One Year / 20,000 lockings

Dimensions



Camloc Part No.	No. of positions	A	B	C	D	E	F	G
00-5520-05	5	141	87	23	13	13	52	231
00-5520-06	6	215	155	23	14	26	118	373
00-5520-10	10	215	159	23	13	13	117	373

Note: All dimensions are ± 3 mm

Camloc Motion Control Ltd

15 New Star Road, Leicester, LE4 9JD, UK
 Tel: +44 (0)116 274 3600 Fax: +44 (0)116 274 3620
 E-mail: info@camloc.com Website: www.camloc.com

Cam-Stay is a trade name of Camloc Motion Control Ltd.
 P6786 Cam-Stay Literature - Correct as of 25/04/18

